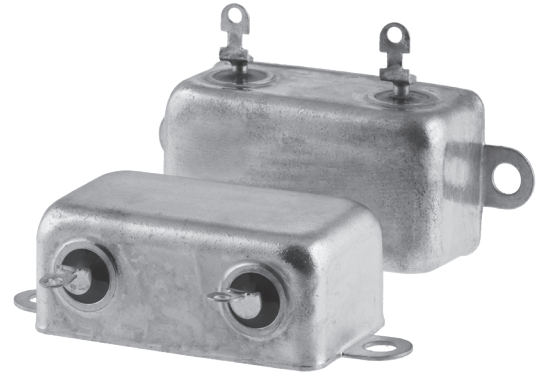
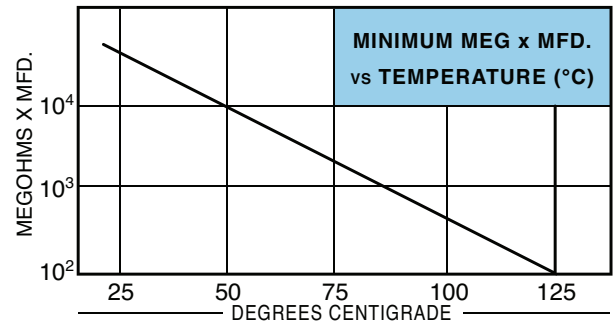
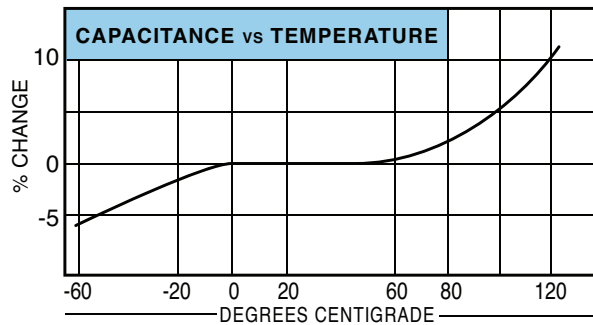
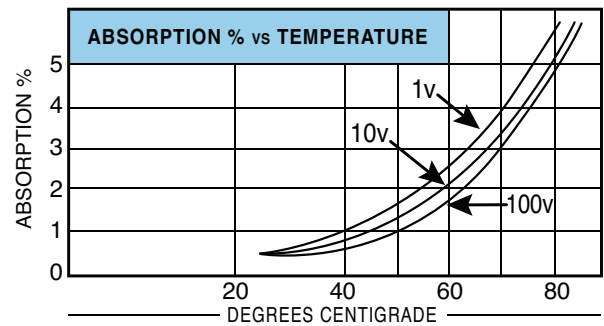
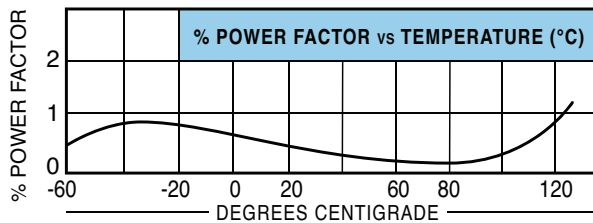


FEATURES:

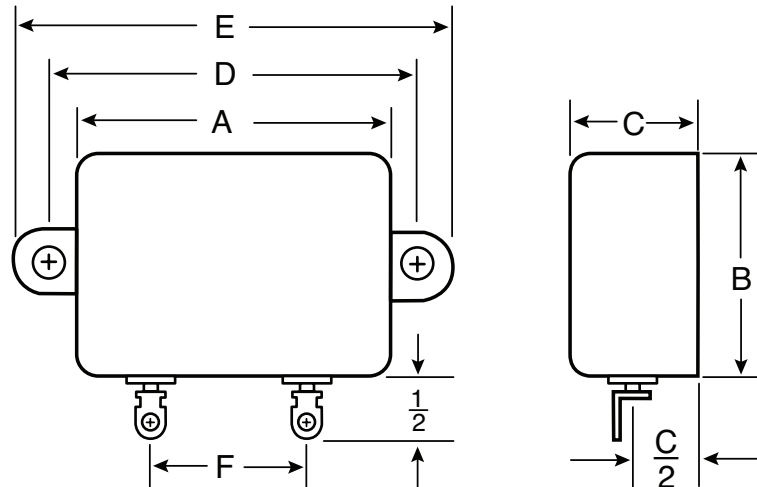
- 200 ~ 600 VDC Rated Models
- Up to 30 μ f Capacitance
- \pm 20% Tolerance Standard (optional 5 / 10 %)
- -90 to 100°C at full rated voltage
(200 V models rated up to 125°C at full rated voltage)
- Insulation Resistane of 40 - 80k Ω F
- <0.6% Dissipation Factor @ 1,000Hz
- Tested 200% of Rated Voltage (1 min)
- Solder Lug Terminals (Standard)
- 2.5k hours Reliability (85°C and 100% Rated Voltage)
- ISO 9001:2015 Qualified Processes
- Tested to MIL-STD-202
- ROHS Compliance upon Request



CHARACTERISTICS:



| VDC | Model | μF | A | B | C | |
|---------|---------|---------------|--------|-------|-------|-------|
| 200 | AB2-504 | 0.5000 | 1.125 | 1.000 | 0.813 | |
| | AB2-105 | 1.0000 | 1.125 | 1.000 | 0.813 | |
| | AB2-205 | 2.0000 | 1.125 | 1.000 | 1.316 | |
| | AB2-405 | 4.0000 | 1.750 | 1.000 | 0.750 | |
| | AB2-505 | 5.0000 | 1.750 | 1.000 | 0.750 | |
| | AB2-605 | 6.0000 | 1.750 | 1.250 | 0.875 | |
| | AB2-805 | 8.0000 | 1.750 | 1.250 | 0.875 | |
| | AB2-106 | 10.0000 | 2.000 | 1.750 | 0.875 | |
| | AB2-126 | 12.0000 | 2.000 | 1.750 | 0.875 | |
| | AB2-156 | 15.0000 | 2.000 | 1.750 | 0.875 | |
| | AB2-206 | 20.0000 | 2.000 | 2.000 | 1.125 | |
| | AB2-306 | 30.0000 | 2.000 | 2.000 | 1.250 | |
| | 300 | AB3-504 | 0.5000 | 1.125 | 1.000 | 0.813 |
| | | AB3-105 | 1.0000 | 1.125 | 1.000 | 1.316 |
| | | AB3-205 | 2.0000 | 1.750 | 1.000 | 0.750 |
| AB3-405 | | 4.0000 | 1.750 | 1.250 | 0.875 | |
| AB3-505 | | 5.0000 | 2.000 | 1.750 | 0.875 | |
| AB3-605 | | 6.0000 | 2.000 | 1.750 | 0.875 | |
| AB3-805 | | 8.0000 | 2.000 | 1.750 | 0.875 | |
| 400 | AB3-106 | 10.0000 | 2.000 | 2.000 | 1.125 | |
| | AB3-126 | 12.0000 | 2.000 | 2.000 | 1.125 | |
| | AB3-156 | 15.0000 | 2.000 | 2.000 | 1.250 | |
| | AB4-104 | 0.1000 | 1.125 | 1.000 | 0.813 | |
| | AB4-254 | 0.2500 | 1.125 | 1.000 | 0.813 | |
| | AB4-504 | 0.5000 | 1.125 | 1.000 | 0.813 | |
| | AB4-105 | 1.0000 | 1.750 | 1.000 | 0.750 | |
| 600 | AB4-205 | 2.0000 | 1.750 | 1.250 | 0.875 | |
| | AB4-405 | 4.0000 | 2.000 | 1.750 | 0.875 | |
| | AB4-505 | 5.0000 | 2.000 | 2.000 | 1.125 | |
| | AB4-605 | 6.0000 | 2.000 | 2.000 | 1.125 | |
| | AB4-805 | 8.0000 | 2.000 | 1.000 | 1.250 | |
| | AB6-503 | 0.0500 | 1.125 | 1.000 | 0.813 | |
| | AB6-104 | 0.1000 | 1.125 | 1.000 | 0.813 | |
| 600 | AB6-254 | 0.2500 | 1.125 | 1.000 | 0.813 | |
| | AB6-504 | 0.5000 | 1.750 | 1.250 | 0.875 | |
| | AB6-105 | 1.0000 | 2.000 | 1.750 | 0.875 | |
| | AB6-205 | 2.0000 | 2.000 | 2.000 | 1.125 | |



HOW TO ORDER:

Select model for voltage and capacitance required and add suffix letter:

- X for side mounted terminals
- Y for top mounted terminals
- Z for bottom mounted terminals

Add suffix to designate tolerance:

- 5 for $\pm 5\%$
- 10 for $\pm 10\%$
- 20 for $\pm 20\%$